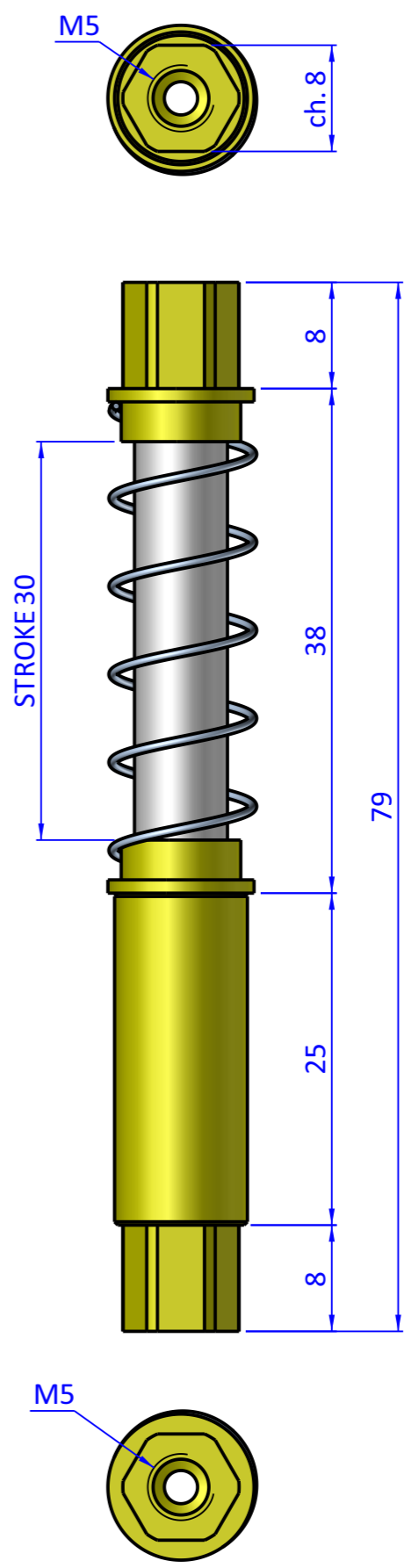
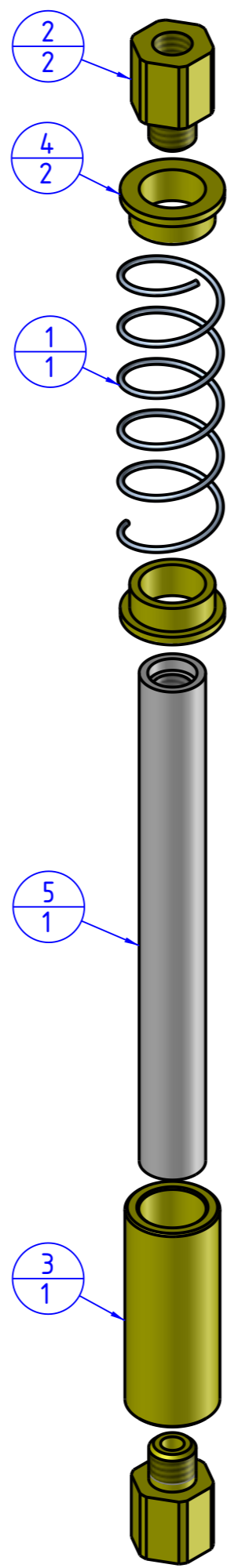



THE PROPERTY OF THE DRAWING IS ESTABLISHED BY LAW. IT IS FORBIDDEN TO PRODUCE OR SHOW IT TO THIRD PART, WITHOUT A WRITTEN AGREEMENT.

Item	Name	Q.ty
1	M.10.5x48B	1
2	SAE.10050510.1	2
3	SAR.10050510.3	1
4	SAE.10050510.4	2
5	SAR.10050530.1	1



Format A3
UNI 936-76

 FPS FPSERVICES AUTOMATION		DESIGNED FROM FPS Automation		REVIEW A	
		DATE 17/04/2024	WEIGHT 0,030kg		
GENERAL TOLERANCE UNI - ISO 2768 CLASSE f	DESCRIPTION CA.SAR.10050530		CODE CA.SAR.10050530		